

# KARIBAN

**REFERENCE :** K752

**SIZES :** 38\_40\_42\_44\_46\_48\_50\_52\_54

**COMPOSITION :**

Main fabric : Washed Cotton twill - 200 100%cotton  
Lining : Cotton chambray - 130 For pocket bag , fly piping, inside waist and back rise 100%cotton

**WEIGHT :**

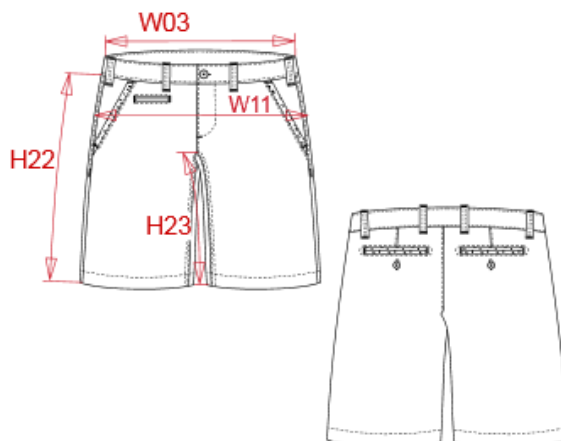
Main fabric : 200 gsm  
Lining : 130 gsm

**TECHNICAL DETAIL :**

Enzyme washed

**ARTICLE WEIGHT :**

280 gr/pc



DESCRIPTION	
<b>Français :</b>	Bermuda aspect délavé homme
<b>English :</b>	Men's washed effect bermuda shorts
<b>Nederlands :</b>	Herenbermuda met verwassen look
<b>Deutsch :</b>	Bermuda-Shorts für Herren im ausgewaschenen Look
<b>Español :</b>	Bermuda efecto lavado para hombre
<b>Italiano :</b>	Bermuda uomo aspetto slavato
<b>Português :</b>	Bermuda pré-lavada de homem

COLORS	PANTONE SERIGRAPHIE
Washed charcoal	447C
Washed marsala	7616C
Washed smoky blue	Cool gray 8C
Washed light khaki	7764C
Washed navy	432C

MEASUREMENT										
Description	38	40	42	44	46	48	50	52	54	
<b>W03 (M)*</b> 1/2 largeur taille / 1/2 waist width	41,50	43,50	45,50	47,50	50	52,50	55	57,50	60	
<b>W11 (M)*</b> 1/2 bassin / 1/2 hip width	50	52	54	56	58	60	62	64	66	
<b>H22 (M)*</b> Longueur côté / Side length	43,05	43,80	44,55	45,30	46,05	46,80	47,55	48,30	49,05	
<b>H23 (M)*</b> Longueur entrejambe / Inside leg length	25,25	25,50	25,75	26	26,25	26,50	26,75	27	27,25	

CARE LABEL				

PACKING	
Box	25 pcs / box
	38 => L:58 cm W: 38 cm H:19 cm GW: 8.90kg NW: 7.50 kg
	40 => L:58 cm W: 38 cm H:19 cm GW: 9.15kg NW: 7.75 kg
	42 => L:58 cm W: 38 cm H:19 cm GW: 9.50kg NW: 8.81 kg
	44 => L:58 cm W: 38 cm H:19 cm GW: 9.65kg NW: 8.25 kg
	46 => L:58 cm W: 38 cm H:19 cm GW:9.95 kg NW: 8.55 kg
	48 => L:60 cm W: 40 cm H:19 cm GW:10.35 kg NW: 8.95 kg
	50=> L:60 cm W: 40 cm H:19 cm GW:10.55 kg NW:9.15 kg
	52=> L:60 cm W: 40 cm H:19 cm GW:10.80 kg NW:9.40 kg
	54=> L:60 cm W: 40 cm H:19 cm GW:11.10 kg NW: 9.70 kg