



STYLE

BYB032

**MEASUREMENT CHART
T-SHIRTS**

COLLECTION

BYB

SEASON

SS16

SUPPLIER NO.

71322

GENDER

MEN

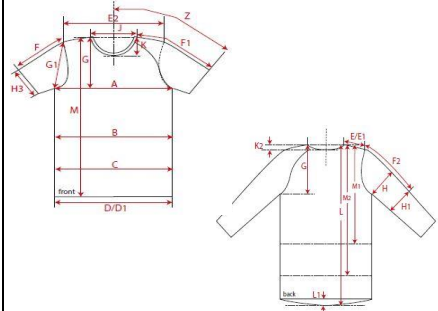
DATE

25-09-2015

SIGNATURE

AM

| Fertigmaße in cm für Größe measurements in cm for size | CODE | TOLERANCE (+/-) | XS | IS | S | IS | M | IS | L | IS | XL | IS | XXL | IS | 3XL | IS | 4XL | IS | 5XL | IS | 6XL | IS | |
|---|------|-----------------|----|----|-------|----|-------|----|-------|----|-------|----|-------|----|-----|----|-----|----|-----|----|-----|----|--|
| front length from HSP | M | 1 | | | 81,50 | | 83,50 | | 85,50 | | 87,50 | | 89,50 | | | | | | | | | | |
| 1/2 chest width | A | 1 | | | 51,50 | | 54,00 | | 56,50 | | 59,00 | | 62,50 | | | | | | | | | | |
| shoulder to shoulder | E2 | 1 | | | 44,50 | | 47,00 | | 49,50 | | 52,00 | | 54,50 | | | | | | | | | | |
| sleeve length from shoulder (set in) | F | 1 | | | 21,00 | | 22,00 | | 23,00 | | 24,00 | | 25,00 | | | | | | | | | | |



REMARK